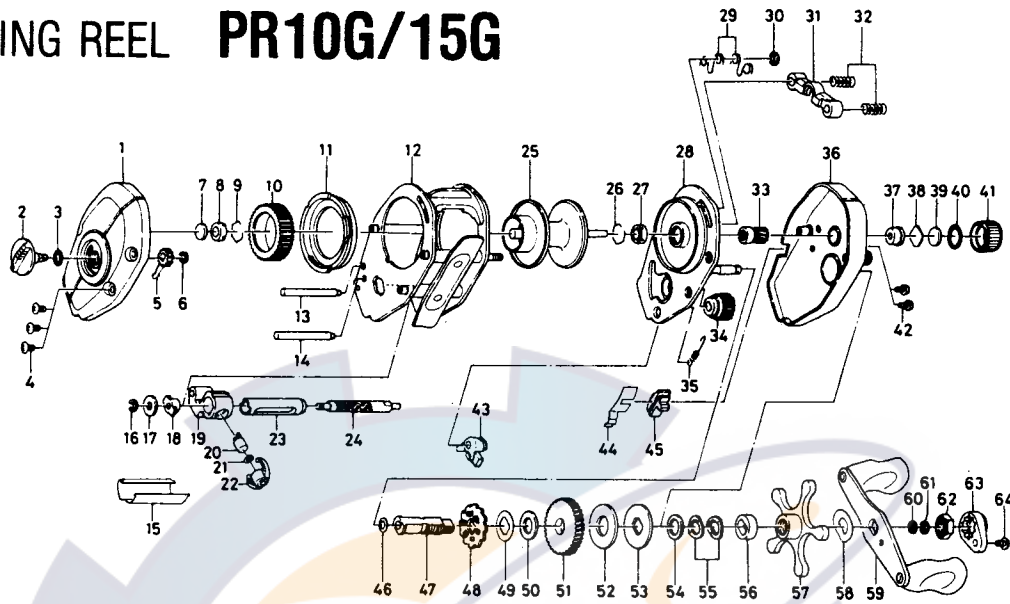


BAITCASTING REEL PR10G/15G



***IMPROVED LINE GUIDE ASSEMBLY**

19	E02-2320	Line guide	4.75
20	B71-0101	Line guide pin	1.20
21	373-1303	Line guide washer	0.40
22	342-4802	Line guide nut	0.75

Key No.	Parts No.	Parts Name	Price Each	Key No.	Parts No.	Parts Name	Price Each
1	E02-9201	Left side plate	6.10	38	B17-5401	Spool adjusting cap metal	0.40
2	B98-5001	Brake adjusting knob	0.75	39	B17-5501	Spacer	0.40
3	B37-0601	"O" ring	0.60	40	171-5201	"O" ring	0.55
4	B36-0401	Left side plate screw	0.50	41	B35-7305	Cast control cap	1.55
5	B54-1701	Brake adjusting gear	1.25	42	B36-0401	Set plate screw	0.50
6	320-4202	Brake adjusting gear retainer	0.40	43	B74-0501	Anti-reverse pawl	1.10
7	375-7400	Spacer	0.35	44	E01-7101	Anti-reverse lever spring	0.45
8	B55-0301	Graphite bearing	1.30	45	E01-7001	Anti-reverse lever	0.45
9	B42-1601	Bearing retainer	0.40	46	373-7611	Drive shaft washer A	0.40
10	B66-1201	Magnet holder	4.50	47	B35-9602	Drive shaft	2.10
11	E03-1601	Magnet holder collar	0.50	48	B86-5101	Anti-reverse ratchet	1.10
12	E02-9801	Frame	16.15	49	B95-7501	Drive shaft washer B	0.35
13	E03-1401	Stabilizer bar A	0.75	50	375-7103	Drag washer A	0.75
14	E03-1401	Stabilizer bar B	0.75	51	B85-2101	Drive gear	8.15
15	B98-7202	Line guard	5.15	52	B36-0202	Drag washer B	0.50
16	320-5901	Worm shaft retainer	0.40	53	B36-0301	Key washer	0.50
17	376-1801	Worm shaft holder washer	0.40	54	373-7803	Drag washer C	0.50
18	B71-5601	Worm bearing	0.40	55	150-8901	Drag spring washer	0.40
19	E02-3201	Line guide	3.35	56	634-5801	Spacing sleeve	0.40
20	B98-7601	Line guide pawl	0.55	57	B36-0504	Star drag	4.75
21	375-4100	Line guide washer	0.40	58	150-9001	Friction washer	0.40
22	B98-7701	Pawl cap	0.75	59	B46-5801	Handle assembly	4.95
23	B99-1801	Level wind guard	1.90	60	B41-1701	Drive shaft washer C	0.40
24	B99-1901	Worm shaft	7.40	61	320-8202	Drive shaft retainer	0.35
25	B54-3304	Spool	15.00	62	B43-3601	Handle nut	0.55
26	B42-1601	Bearing retainer	0.40	63	B43-3903	Handle nut plate	0.55
27	B55-0301	Graphite bearing	1.30	64	351-1801	Handle nut plate screw	0.50
28	E02-8701	Set plate	15.15				
29	B81-5503	Set plate spring	0.40	PR15G Special Parts			
30	320-1402	Clutch ret. ring	0.40	12	E02-9901	Frame	16.35
31	B35-9001	Yoke	0.75	13	E03-1501	Stabilizer bar A	0.90
32	144-7101	Yoke spring	0.50	14	E03-1501	Stabilizer bar B	0.90
33	B87-0901	Pinion gear	7.65	15	B98-9102	Line guard	5.20
34	B99-2001	Worm shaft gear	0.85	23	B99-2101	Level wind guard	1.70
35	B35-8901	Anti-reverse pawl spring	0.50	24	B99-2201	Worm shaft	7.90
36	E02-8601	Right side plate	13.55	25	B54-5904	Spool	15.00
37	B64-3101	Bush	0.60	36	E02-8602	Right side plate	13.55

***NOTE: IT IS RECOMMENDED THAT THESE FOUR PARTS BE REPLACED WITH THE ABOVE IMPROVED LINE-GUIDE ASSEMBLY.**